

TAVSEAL

New Tavseal is designed according to best performance against tampering attempts. Tavseal was tested by Dayton&Brown Laboratories according to ISO17712:2013 standard.



Material

- Body – ABS
- Locking – Hardened steel

Properties

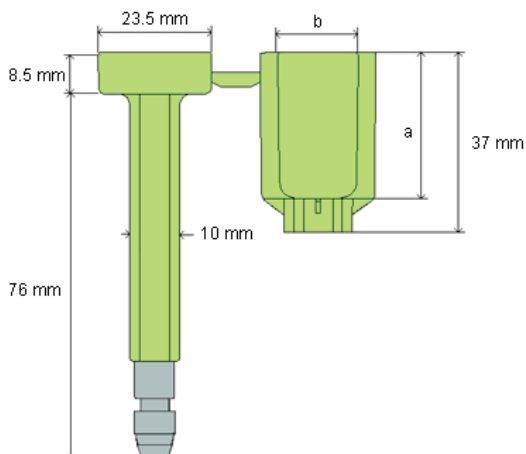
- Tensile strength – 20kN
- Shear test – 8.9kN
- Bending test – 67Nm
- Impact test (18+3 oC) - >40.68J
- Impact test (-27+3 oC) - >40.68J
- Metal pin head diameter – 18mm

Marking

- Laser marking or Hot stamping
- Customize name/logo
- Sequential numbering
- Laser barcoding

Applications

- Trailer
- Cargo container
- Rail freight



Product Code	Dimension		Packaging		
	Print Area, a x b (mm)		Quantity per box (pieces)	Weight per box (kg)	Box Dimension, L x W x H (mm)
	a	b			
TAV02(S)	30	16	200	12.9	520 X 300 X 198
TAV02(NS)	30	16	200	12.9	520 X 300 X 198

Note: (S) = Spin; (NS) = Non Spin