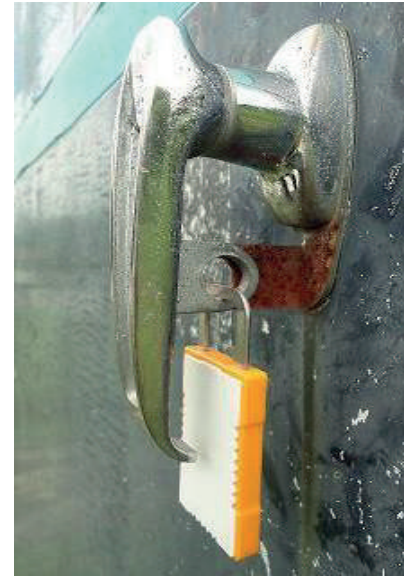


REVOSEAL

Revo seal is a padlock type seal made of high quality plastic material with triple locking mechanism. The seals are self-locking by just pressing down and once the seal is locked it could not open without clear sign of tampering.



Material

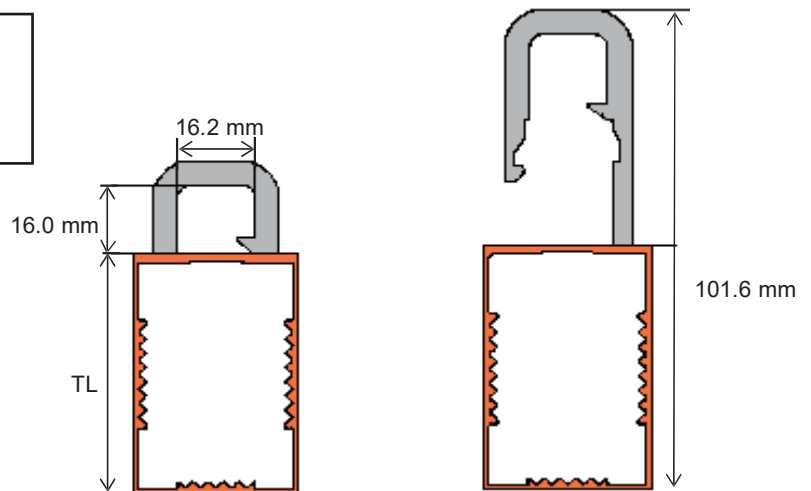
- Body – Acrylonitrile Styrene (AS)
- Hasp – Stainless Steel

Marking

- Laser marking
- Customize name
- Sequential numbering
- Laser barcoding

Applications

- Retails/ Distribution
- Security boxes
- Measuring devices
- Gaming machines



Product Code	Dimension		Packaging		
	Tag Length, TL (mm)	Tag Width, TW (mm)	Quantity per box (pieces)	Weight per box (kg)	Box Dimension, L x W x H (mm)
REVO	50.5	32.0	1000	14.6	475 X 318 X 204